



FITTING NO.

FCS-100

SUBMITTED MODEL NO.

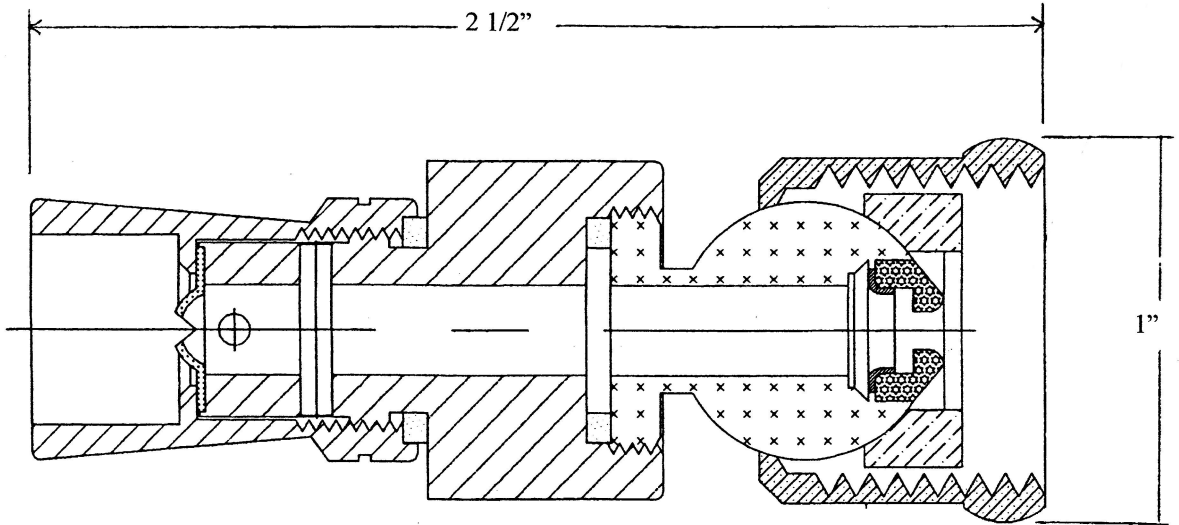
JOB NAME

ITEM NO.

SUBMITTED AS SHOWN

SUBMITTED AS NOTED

SEE ATTACHED FOR
SUBMITTED MODIFICATION



DIMENSIONS IN INCHES

TECHNICAL DATA

SPECIFICATION MANUAL

Non-Plugging Design
1.5gpm
30~80PSI

Solid Brass Construction
Polished Chrome Finish
Threads: 1/2" NPT

Roughing in dimensions may vary and are subject to change. No responsibility is assumed for use of superseded or voided data.