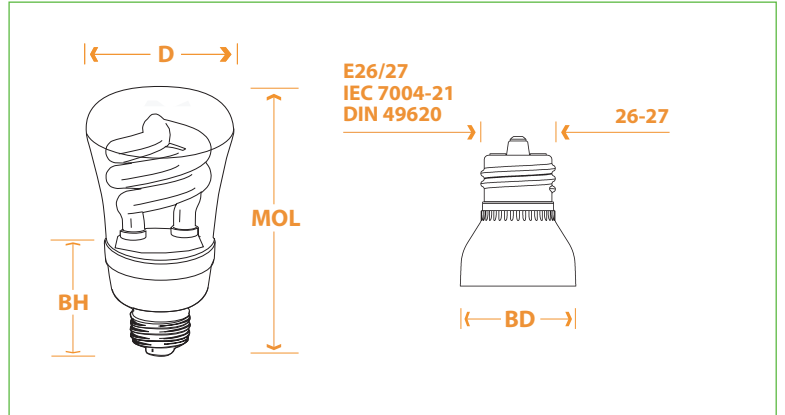


# CFL-R20™

## ELECTRONIC FLOODLIGHT

### New! Product Information Bulletin



### Technical Data

CFL-R20™ & CFL-R20™ Electronic, NPF, Medium Base (E26/27), 120VAC- 50/60Hz, 8,000 Hours Average Life													Incandescent Equivalent		
Item Number	Watts	Line Current	Power Factor	THD	M.O.L. (Inch)	D (Inch)	BD (Inch)	BH (Inch)	Color Temp. (°K)	CRI	Lumens	Lm/W	Watts	Lumens	Lm/W
32016	16	0.260 A	>0.50	<150%	5	2.5	2	2.35	2850	>82	670	42	60	660	11
32014	14	0.230 A	>0.50	<150%	5	2.5	2	2.35	2850	>82	590	42	50	550	11
32016-RY	16	0.260 A	>0.50	<150%	5	2.5	2	2.35	2600	>82	670	42	60	660	11
32014-RY	14	0.230 A	>0.50	<150%	5	2.5	2	2.35	2600	>82	590	42	50	550	11

APPLICATION INFORMATION: TO BE USED WITH TRACK LIGHTS • RECESSED CANS • WARDROBE CLOSETS • DRIVEWAYS • WALKWAYS • YARDS & GARDENS OPEN & TOTALLY ENCLOSED FIXTURES • USE WITH OCCPANCY SENSORS MADE BY NEPTUN • AND MORE

NOTE: RY = RESTAURANT YELLOW

### Features and Benefits

- \* Saves up to 70% energy with comparable light output
- \* Color Temperature of 2850°K: Matching incandescent R lamps
- \* High Luminous Efficiency: Up to 42 Lm/W
- \* Wide range of operation temperatures: 0°F - 140°F
- \* New! Patented Amalgam Technology: Any working position with stable light output
- \* Superior Lumen Maintenance of 85% after 4,000 hours of use
- \* Indoor or Outdoor

NEPTUN LIGHT, Inc.  
 service@neptunlight.com  
 Tel. 1-847-735-8330  
 Toll Free: 1-888-735-8330



© Copyright 2008 NEPTUN LIGHT, Inc.